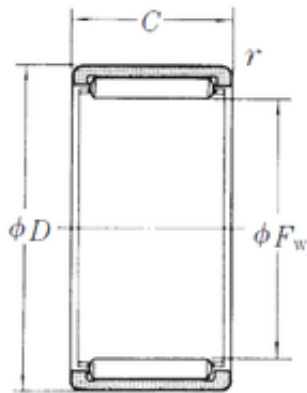




FML ske Manufacturing Co., Ltd

NSK RLM121920-1 needle roller bearings



Bearing No. RLM121920-1

Size	12x19x20 mm
Bore Diameter	12 mm
Outer Diameter	19 mm
Width	20 mm
Fw	12 mm
D	19 mm
C	20 mm
r min.	0,3 mm
Weight	0,018 Kg
Basic dynamic load rating (C)	12 kN
Basic static load rating (C0)	13,5 kN

RLM121920-1 Bearing 2D drawings and 3D CAD models