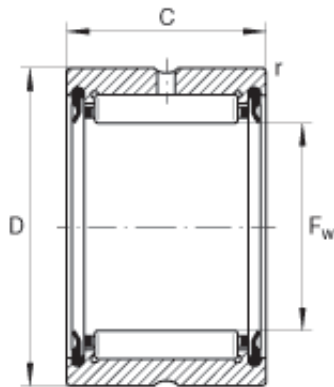




FML ske Manufacturing Co., Ltd



INA RNA4904-2RSR needle roller bearings

Bearing No. RNA4904-2RSR

RNA4904-2RSR Bearing 2D drawings and 3D CAD models

Size	25x37x17 mm
Bore Diameter	25 mm
Outer Diameter	37 mm
Width	17 mm
F_w	25 mm
D	37 mm
C	17 mm
r_{min}	0,3 mm
m	56 g / Weight
C_r	19500 N / Dynamic load rating (radial)
C_{Or}	19900 N / Static load rating (radial)
C_{ur}	3750 N / Fatigue limit load, radial
$n_{G\ Fett}$	7500 1/min / Limiting speed for grease lubrication
Category	Needle Non Thrust Roller Bearings
Inventory	8.0
Manufacturer Name	SCHAEFFLER GROUP
Minimum Buy Quantity	N/A
Weight / Kilogram	0.06
EAN	4012802272765
Product Group	B04144
Rolling Element	Needle Roller Bearing
Component	Roller Assembly with Outer Ring - No Inner Ring



FML ske Manufacturing Co., Ltd

Enclosure	2 Seals
Self Aligning	No
Retainer	Yes
Number of Rows of Rollers	Single Row
Separable	No
Closed End	No
Inch - Metric	Metric
Relubricatable	Yes
Thrust Bearing	No
Long Description	25MM Bore; 37MM Outside Diameter; 17MM Width; Needle Roller Bearing; Roller Assembly with Outer Ring - No Inner Ring; 2 Seals; Not Self Aligning; Retainer; Single Row of Rollers; Not Separable; Not CI
Other Features	2 Rib Outer Ring Precision Steel Cage Ground Raceway with Rib Oil Hole
Category	Needle Non Thrust Roller Bearing
UNSPSC	31171512
Harmonized Tariff Code	8482.99.65.30
Noun	Roller Assembly with Outer Ring
Keyword String	Bearing Needle
Manufacturer URL	http://www.ina.com
Manufacturer Item Number	RNA49042RS
Weight / LBS	0.123
Outside Diameter	1.457 Inch 37 Millimeter
Width	0.669 Inch 17 Millimeter
Bore	0.984 Inch 25 Millimeter