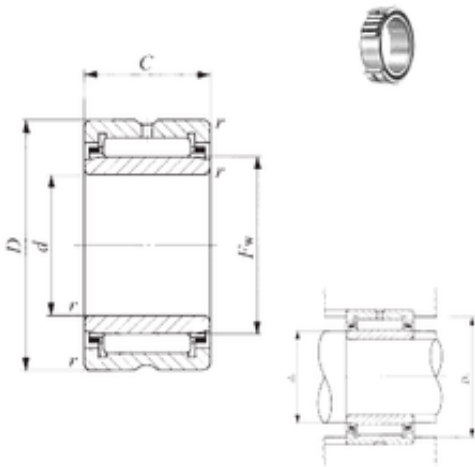




FML ske Manufacturing Co., Ltd

80 mm x 110 mm x 30 mm IKO NA 4916 needle roller bearings



Bearing No. NA 4916

Size	80x110x30 mm
Bore Diameter	80 mm
Outer Diameter	110 mm
Width	30 mm
d	80 mm
Fw	90 mm
D	110 mm
B	30 mm
C	30 mm
r min.	1 mm
da min.	85 mm
da max	88 mm
Da max.	105 mm
S	1,5 mm
Weight	0,855 Kg
Basic dynamic load rating (C)	87,3 kN
Basic static load rating (C0)	175 kN

NA 4916 Bearing 2D drawings and 3D CAD models