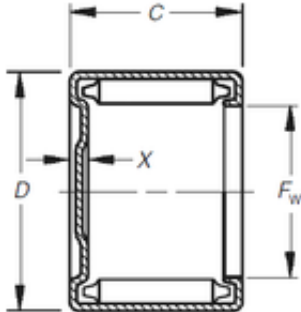




FML ske Manufacturing Co., Ltd

Timken M-24101 needle roller bearings



Bearing No. M-24101

Size	38.1x47.625x15.88 mm
Bore Diameter	38,1 mm
Outer Diameter	47,625 mm
Width	15,88 mm
F _w	38,1 mm
D	47,625 mm
C	15,88 mm
C1	3,05 mm
Weight	0,068 Kg
Basic dynamic load rating (C)	29,8 kN
Basic static load rating (C0)	53,8 kN
(Grease) Lubrication Speed	2800 r/min

M-24101 Bearing 2D drawings and 3D CAD models