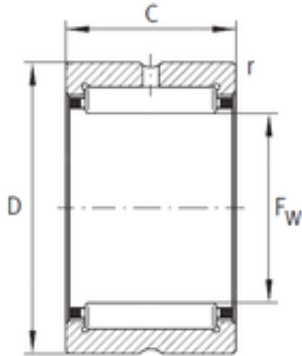




FML ske Manufacturing Co., Ltd

INA NK80/25-XL needle roller bearings



Bearing No. NK80/25-XL

Size	80x95x25 mm
Bore Diameter	80 mm
Outer Diameter	95 mm
Width	25 mm
F _w	80 mm
D	95 mm
C	25 mm
r min.	1 mm
Weight	0,301 Kg
Basic dynamic load rating (C)	63 kN
Basic static load rating (C ₀)	119 kN
Fatigue load limit (P _u)	19,6
Reference speed	4 400 r/min

NK80/25-XL Bearing 2D drawings and 3D CAD models