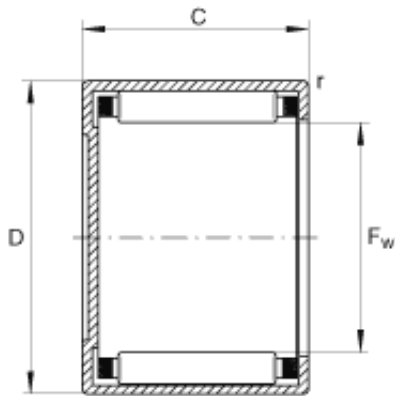




FML ske Manufacturing Co., Ltd



INA BCE186 needle roller bearings

Bearing No. BCE186

Size	28.575x34.925x9.525 mm
Bore Diameter	28,575 mm
Outer Diameter	34,925 mm
Width	9,525 mm
F _w	1 1/8 inch
F _w	28,575 mm
D	1,375 inch
D	34,925 mm
C	0,375 inch
C	9,525 mm
m	0,042 lbs / Weight
m	19 g / Weight
C _r	1870 lbf / Dynamic load rating (radial)
C _r	8300 N / Dynamic load rating (radial)
C _{0r}	2600 lbf / Static load rating (radial)
C _{0r}	11500 N / Static load rating (radial)
n _G	9800 1/min / Limiting speed

BCE186 Bearing 2D drawings and 3D CAD models