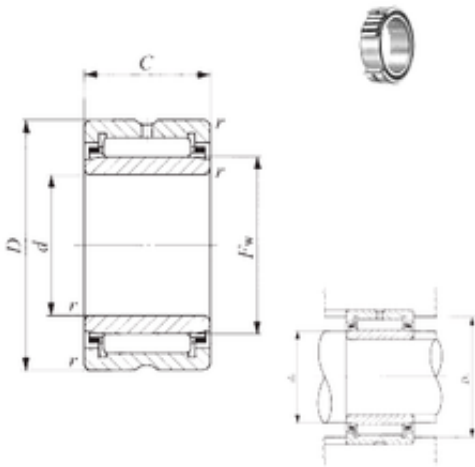




FML ske Manufacturing Co., Ltd

260 mm x 320 mm x 80 mm IKO NA 4948
needle roller bearings



Bearing No. NA 4948

Size	260x320x80 mm
Bore Diameter	260 mm
Outer Diameter	320 mm
Width	80 mm
d	260 mm
Fw	265 mm
D	320 mm
B	80 mm
C	80 mm
r min.	2,1 mm
da min.	251 mm
da max	262 mm
Da max.	309 mm
S	4 mm
Weight	31,1 Kg
Basic dynamic load rating (C)	565 kN
Basic static load rating (C0)	1320 kN

NA 4948 Bearing 2D drawings and 3D CAD models