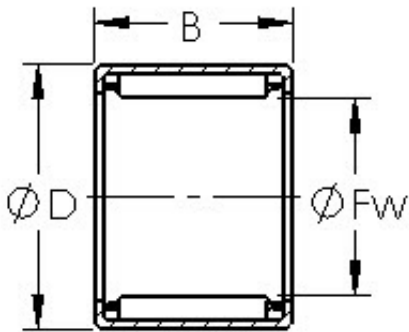




FML ske Manufacturing Co., Ltd



AST SCE2820 needle roller bearings

Bearing No. SCE2820

Bore Diameter	44,45 mm
Outer Diameter	53,975 mm
Width	31,75 mm
Bearing Type	Cage Retained Rollers
Outer Dia (D)	2.1250
Width (B)	1.2500
Dynamic Load Rating (Cr)	12,400
Static Load Rating (Cor)	24,300
Max Speed (Grease) (X1000 RPM)	6,300
Shaft (Fw)	1.750
Weight (g)	134.00
Material - Drawn cup: Hardened carbon steel alloy, Rollers	52100 Chrome steel or equivalent

SCE2820 Bearing 2D drawings and 3D CAD models