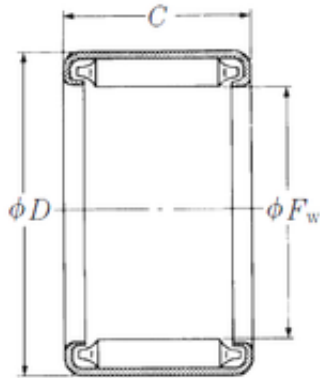




FML ske Manufacturing Co., Ltd

NSK J-108 needle roller bearings



Bearing No. J-108

Size	15.875x20.638x12.7 mm
Bore Diameter	15,875 mm
Outer Diameter	20,638 mm
Width	12,7 mm
Fw	15,875 mm
D	20,638 mm
C	12,7 mm
Weight	0,0086 Kg
Basic dynamic load rating (C)	6,75 kN

J-108 Bearing 2D drawings and 3D CAD models