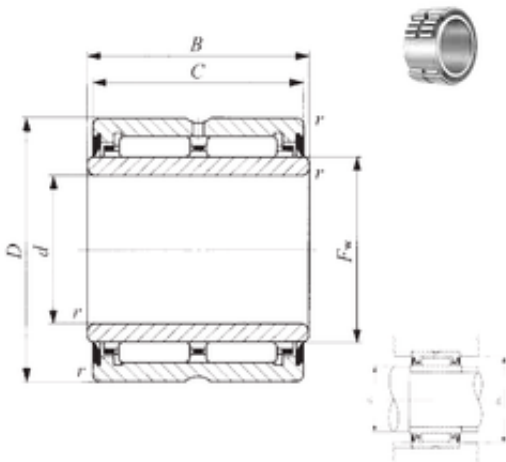




# FML ske Manufacturing Co., Ltd

## 90 mm x 125 mm x 64 mm IKO NA 6918UU needle roller bearings

Bearing No. NA 6918UU



NA 6918UU Bearing 2D drawings and 3D CAD models

Size	90x125x64 mm
Bore Diameter	90 mm
Outer Diameter	125 mm
Width	64 mm
d	90 mm
Fw	105 mm
D	125 mm
B	64 mm
C	63 mm
r min.	1,1 mm
da min.	96,5 mm
da max	103 mm
Da max.	118,5 mm
Weight	2,48 Kg
Basic dynamic load rating (C)	172 kN
Basic static load rating (C0)	471 kN