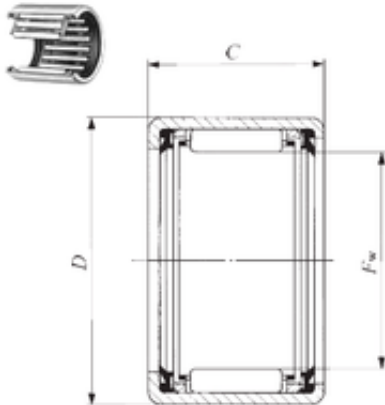




FML ske Manufacturing Co., Ltd



IKO TLA 3516 UU needle roller bearings

Bearing No. TLA 3516 UU

Size	35x42x16 mm
Bore Diameter	35 mm
Outer Diameter	42 mm
Width	16 mm
Fw	35 mm
D	42 mm
C	16 mm
Weight	0,035 Kg
Basic dynamic load rating (C)	11,6 kN
Basic static load rating (C0)	20 kN

TLA 3516 UU Bearing 2D drawings and 3D CAD models