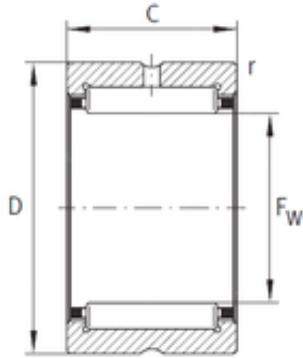




FML ske Manufacturing Co., Ltd

INA NK38/30-XL needle roller bearings



Bearing No. NK38/30-XL

Size	38x48x30 mm
Bore Diameter	38 mm
Outer Diameter	48 mm
Width	30 mm
F _w	38 mm
D	48 mm
C	30 mm
r min.	0,3 mm
Weight	0,116 Kg
Basic dynamic load rating (C)	43 kN
Basic static load rating (C ₀)	76 kN
Fatigue load limit (P _u)	14
Reference speed	8 000 r/min

NK38/30-XL Bearing 2D drawings and 3D CAD models