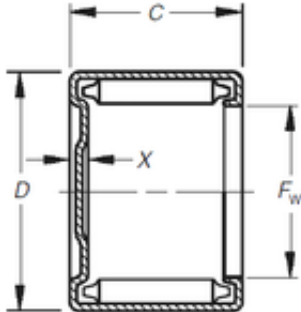




FML ske Manufacturing Co., Ltd

Timken MH-22121 needle roller bearings



Bearing No. MH-22121

Size	34.925x44.45x19.05 mm
Bore Diameter	34,925 mm
Outer Diameter	44,45 mm
Width	19,05 mm
Fw	34,925 mm
D	44,45 mm
C	19,05 mm
C1	3,05 mm
Weight	0,075 Kg
Basic dynamic load rating (C)	35,3 kN
Basic static load rating (C0)	64,5 kN
(Grease) Lubrication Speed	3000 r/min

MH-22121 Bearing 2D drawings and 3D CAD models