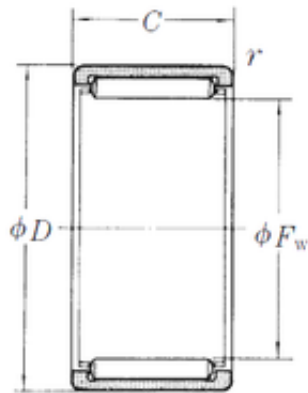




FML ske Manufacturing Co., Ltd

NSK RLM304025 needle roller bearings



Bearing No. RLM304025

Size	30x40x25 mm
Bore Diameter	30 mm
Outer Diameter	40 mm
Width	25 mm
Fw	30 mm
D	40 mm
C	25 mm
r min.	0,5 mm
Weight	0,075 Kg
Basic dynamic load rating (C)	30 kN
Basic static load rating (C0)	46 kN

RLM304025 Bearing 2D drawings and 3D CAD models