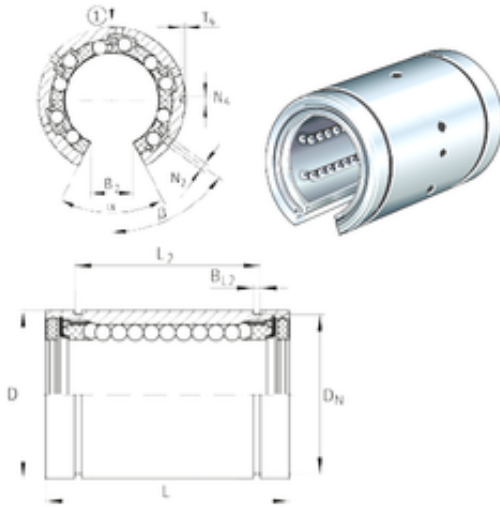




FML ske Manufacturing Co., Ltd

INA KBO16-PP linear bearings

Bearing No. KBO16-PP



KBO16-PP Bearing 2D drawings and 3D CAD models

Bore Diameter	16 mm
Outer Diameter	26 mm
Fw	16 mm
D	26 mm
Dn	24,9 mm
L2	24,6 mm
B2	10,1 mm
N2	2 mm
L	36 mm
BL2	1,3 mm
T4	1,2 mm
N4	2,2 mm
Weight	0,04 Kg
Basic dynamic load rating (C)	0,8 kN