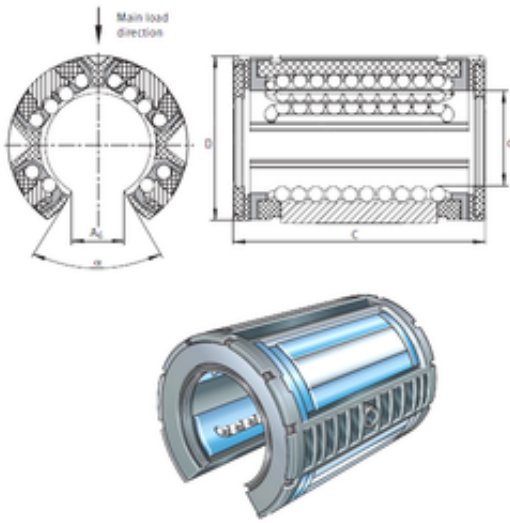




FML ske Manufacturing Co., Ltd



INA KSO30-PP linear bearings

Bearing No. KSO30-PP

Size	30x47x68 mm
Bore Diameter	30 mm
Outer Diameter	47 mm
Width	68 mm
d	30 mm
D	47 mm
C	68 mm
A6	14,3 mm
H10	2 mm
K4	3 mm
K1	3,5 mm
Angle (?)	57 °
Weight	0,135 Kg
Basic dynamic load rating (C)	5,9 kN

KSO30-PP Bearing 2D drawings and 3D CAD models