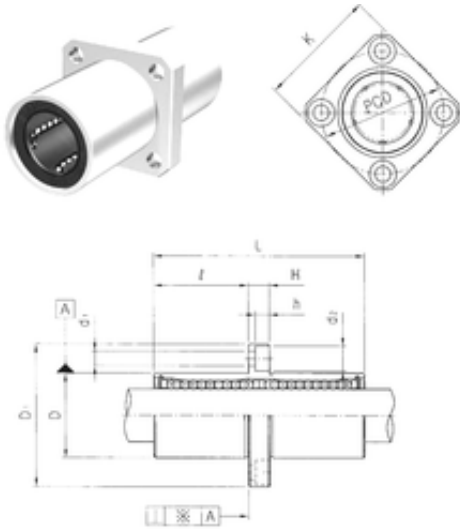




# FML ske Manufacturing Co., Ltd



LMEKM25UU Bearing 2D drawings and 3D CAD models

## Samick LMEKM25UU linear bearings

Bearing No. LMEKM25UU

Bore Diameter	25 mm
Outer Diameter	40 mm
d	25 mm
D	40 mm
K	50 mm
d1	5,5 mm
d2	9,5 mm
h	5,4 mm
D1	62 mm
H	8 mm
L	112 mm
PCD	51 mm
	52 Tolerance h14
Tolerance perpendicularity (C)	17
Weight	0,515 Kg
Basic dynamic load rating (C)	1,56 kN