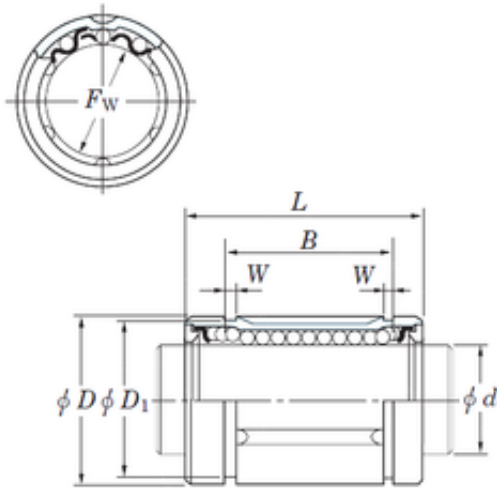




FML ske Manufacturing Co., Ltd



KOYO SDM20 linear bearings

Bearing No. SDM20

Size	20x32x30.5 mm
Bore Diameter	20 mm
Outer Diameter	32 mm
Width	30,5 mm
Fw	20 mm
D	32 mm
B	30,5 mm
D1	30,5 mm
L	42 mm
W	1,6 mm
Weight	0,092 Kg
Basic dynamic load rating (C)	590 kN

SDM20 Bearing 2D drawings and 3D CAD models