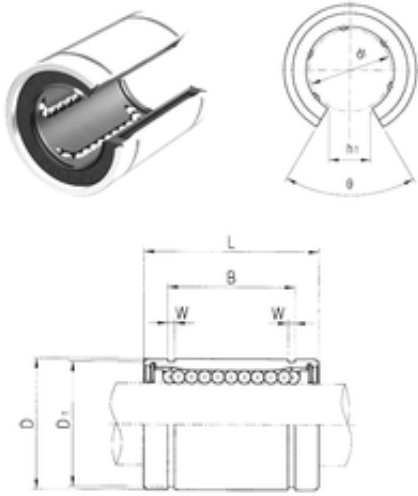




FML ske Manufacturing Co., Ltd



16 mm x 28 mm x 26,5 mm Samick LM16UUOP linear bearings

Bearing No. LM16UUOP

Size	16x28x26.5 mm
Bore Diameter	16 mm
Outer Diameter	28 mm
Width	26,5 mm
d	16 mm
D	28 mm
h1	11 mm
B	26,5 mm
L	37 mm
W	1,6 mm
	80 mm
Weight	0,069 Kg
Basic dynamic load rating (C)	0,77 kN

LM16UUOP Bearing 2D drawings and 3D CAD models