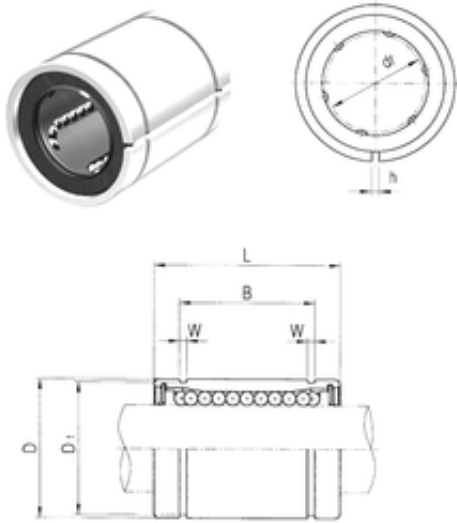




FML ske Manufacturing Co., Ltd



40 mm x 62 mm x 60,6 mm Samick LME40AJ linear bearings

Bearing No. LME40AJ

Size	40x62x60.6 mm
Bore Diameter	40 mm
Outer Diameter	62 mm
Width	60,6 mm
d	40 mm
D	62 mm
h	3 mm
B	60,6 mm
D1	59 mm
L	80 mm
W	2,15 mm
Weight	0,705 Kg
Basic dynamic load rating (C)	2,15 kN

LME40AJ Bearing 2D drawings and 3D CAD models