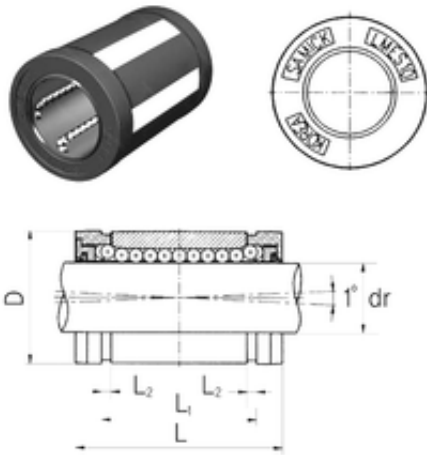




FML ske Manufacturing Co., Ltd

Samick LMES50 linear bearings



Bearing No. LMES50

| | |
|-------------------------------|----------|
| Bore Diameter | 50 mm |
| Outer Diameter | 75 mm |
| d | 50 mm |
| D | 75 mm |
| L ± 0.2 | 100 mm |
| L1 ± 0.2 | 77,4 mm |
| L2 min. | 2,70 mm |
| Weight | 0,58 Kg |
| Basic dynamic load rating (C) | 11,46 kN |

LMES50 Bearing 2D drawings and 3D CAD models