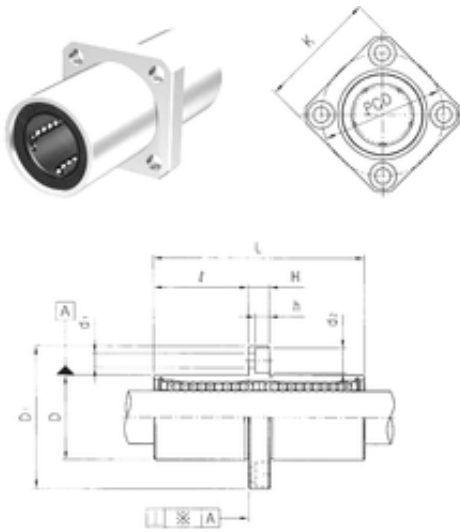




FML ske Manufacturing Co., Ltd



LMEKM30UU Bearing 2D drawings and 3D CAD models

Samick LMEKM30UU linear bearings

Bearing No. LMEKM30UU

Bore Diameter	30 mm
Outer Diameter	47 mm
d	30 mm
D	47 mm
K	60 mm
d1	6,6 mm
d2	11 mm
h	6,5 mm
D1	76 mm
H	10 mm
L	123 mm
PCD	62 mm
	56,5 Tolerance h14
Tolerance perpendicularity (C)	17
Weight	0,655 Kg
Basic dynamic load rating (C)	2,94 kN