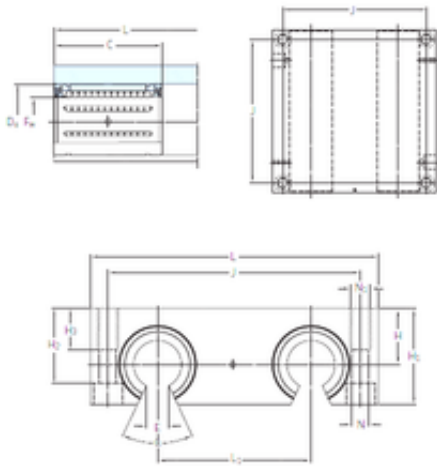




FML ske Manufacturing Co., Ltd



LQCF 25-2LS Bearing 2D drawings and 3D CAD models

SKF LQCF 25-2LS linear bearings

Bearing No. LQCF 25-2LS

Bore Diameter	25 mm
Fw	25 mm
H3	22 mm
Da	40 mm
Angle ()	60 °
C	58 mm
E	13,2 mm
H	30 mm
H1	51 mm
H2	40 mm
J	140 mm
L	88 mm
N	8,4 mm
J1	160 mm
Thread (N1)	M10
Weight	2,572 Kg
Basic dynamic load rating (C)	7,65 kN