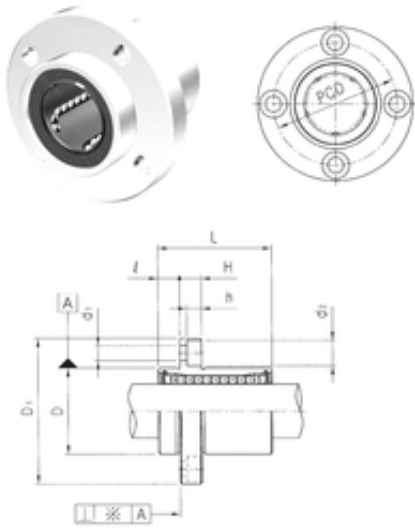




# FML ske Manufacturing Co., Ltd



LMFP10UU Bearing 2D drawings and 3D CAD models

## Samick LMFP10UU linear bearings

Bearing No. LMFP10UU

Bore Diameter	10 mm
Outer Diameter	19 mm
d	10 mm
D	19 mm
d1	4,5 mm
d2	8 mm
h	4,4 mm
D1	40 mm
H	6 mm
L	29 mm
PCD	29 mm
	6 Tolerance h14
Tolerance perpendicularity (C)	12
Weight	0,076 Kg
Basic dynamic load rating (C)	0,37 kN