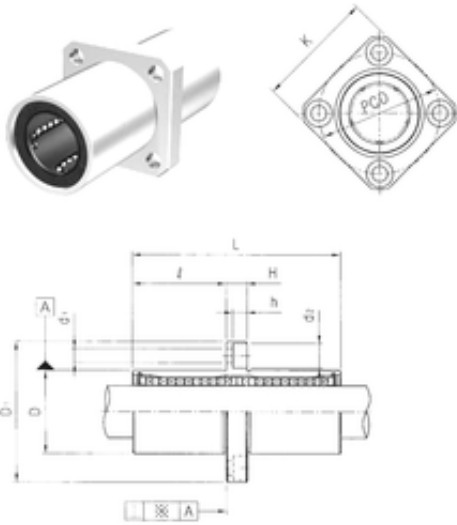




FML ske Manufacturing Co., Ltd



LMKM50 Bearing 2D drawings and 3D CAD models

Samick LMKM50 linear bearings

Bearing No. LMKM50

Bore Diameter	50 mm
Outer Diameter	80 mm
d	50 mm
D	80 mm
d1	9 mm
d2	14 mm
h	8,6 mm
D1	116 mm
H	13 mm
K	92 mm
L	192 mm
PCD	98 mm
	89,5 Tolerance h14
Tolerance perpendicularity (C)	25
Weight	3,5 Kg
Basic dynamic load rating (C)	6,08 kN