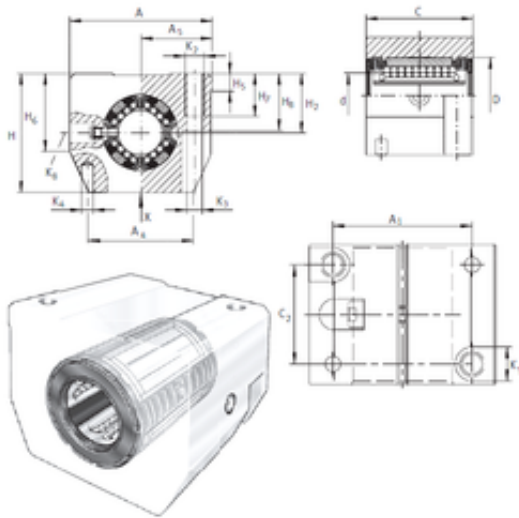




FML ske Manufacturing Co., Ltd



KGSNG40-PP-AS Bearing 2D drawings and 3D CAD models

INA KGSNG40-PP-AS linear bearings

Bearing No. KGSNG40-PP-AS

Size	40x62x80 mm
Bore Diameter	40 mm
Outer Diameter	62 mm
Width	80 mm
d	40 mm
D	62 mm
C	80 mm
H5	11,7 mm
H6	55,9 mm
H7	26 mm
H8	44 mm
K3	10,5 mm
K4	8 mm
K5	18 mm
Thread (K2)	M12
Thread (K8)	NIP 5 MZ
A4	76 mm
A5	54 mm
A	108 mm
A1	86 mm
H	90 mm
H2	45 mm
C2	58 mm
Weight	1,55 Kg
Basic dynamic load rating (C)	10,2 kN