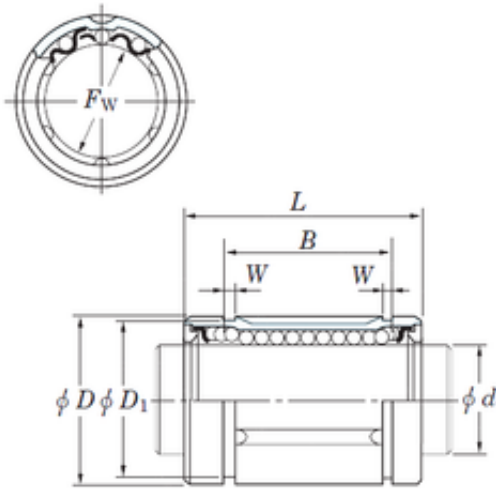




# FML ske Manufacturing Co., Ltd



## KOYO SDM10 linear bearings

Bearing No. SDM10

Size	10x19x22 mm
Bore Diameter	10 mm
Outer Diameter	19 mm
Width	22 mm
Fw	10 mm
D	19 mm
B	22 mm
D1	18 mm
L	29 mm
W	1,3 mm
Weight	0,027 Kg
Basic dynamic load rating (C)	259 kN

SDM10 Bearing 2D drawings and 3D CAD models