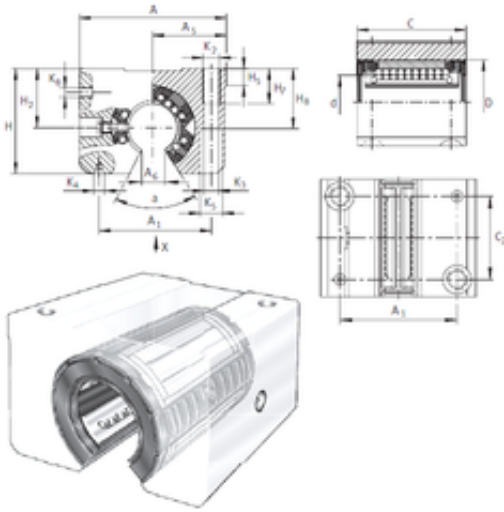




FML ske Manufacturing Co., Ltd



KGSNO40-PP-AS Bearing 2D drawings and 3D CAD models

INA KGSNO40-PP-AS linear bearings

Bearing No. KGSNO40-PP-AS

Bore Diameter	40 mm
Outer Diameter	62 mm
d	40 mm
D	62 mm
A6	18,8 mm
H5	12,4 mm
H7	26 mm
H8	44 mm
K2	10,5 mm
K3	3,15 mm
K4	X6,7
K5	18 mm
Thread (K2)	M12
Thread (K8)	NIP 5 MZ
A5	54 mm
Angle (?)	56 °
A	108 mm
A1	86 mm
C	80 mm
H	77 mm
H2	45 mm
C2	58 mm
Weight	1,4 Kg
Basic dynamic load rating (C)	10,2 kN