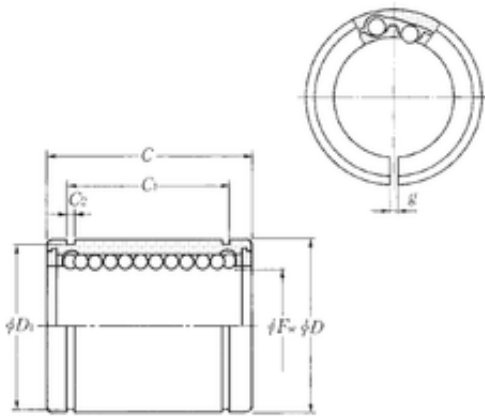




NTN KLM30SLL linear bearings

Bearing No. KLM30SLL



KLM30SLL Bearing 2D drawings and 3D CAD models

Size	30x45x64 mm
Bore Diameter	30 mm
Outer Diameter	45 mm
Width	64 mm
Fw	30 mm
D	45 mm
C	64 mm
g	0,6 mm
C1	44,2 mm
D1	43 mm
C2	1,85 mm
Weight	0,26 Kg
Basic dynamic load rating (C)	2 540 kN