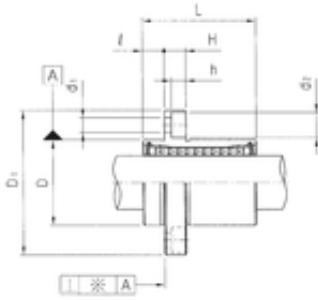
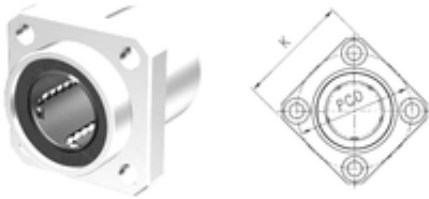




FML ske Manufacturing Co., Ltd



LMKP35UU Bearing 2D drawings and 3D CAD models

Samick LMKP35UU linear bearings

Bearing No. LMKP35UU

Bore Diameter	35 mm
Outer Diameter	52 mm
d	35 mm
D	52 mm
d1	6,6 mm
d2	11 mm
h	6,5 mm
D1	82 mm
H	10 mm
K	64 mm
L	70 mm
PCD	67 mm
	10 Tolerance h14
Tolerance perpendicularity (C)	20
Weight	0,795 Kg
Basic dynamic load rating (C)	1,66 kN