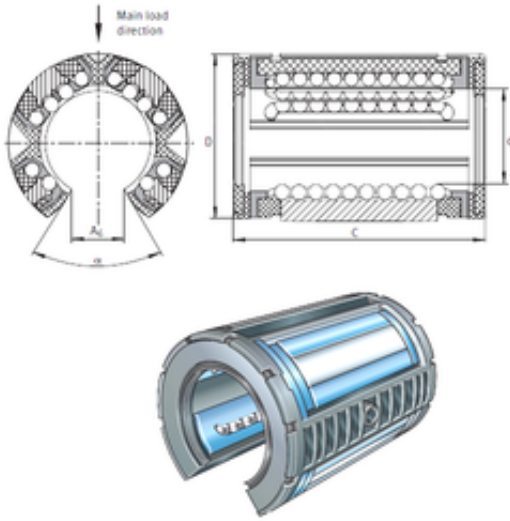




FML ske Manufacturing Co., Ltd



INA KSO50-PP linear bearings

Bearing No. KSO50-PP

Size	50x75x100 mm
Bore Diameter	50 mm
Outer Diameter	75 mm
Width	100 mm
d	50 mm
D	75 mm
C	100 mm
A6	22,7 mm
H10	2,5 mm
K4	5 mm
K1	4,5 mm
Angle (?)	54 °
Weight	0,454 Kg
Basic dynamic load rating (C)	15,1 kN

KSO50-PP Bearing 2D drawings and 3D CAD models