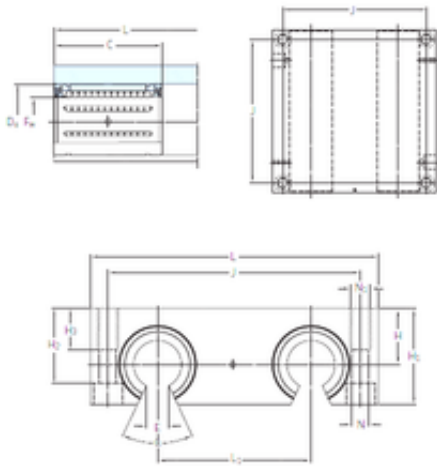




FML ske Manufacturing Co., Ltd



SKF LQCF 30-2LS linear bearings

Bearing No. LQCF 30-2LS

Bore Diameter	30 mm
Fw	30 mm
H3	26 mm
Da	47 mm
Angle ()	50 °
C	68 mm
E	14,2 mm
H	35 mm
H1	60 mm
H2	46,5 mm
J	158 mm
L	96 mm
N	10,5 mm
J1	180 mm
Thread (N1)	M12
Weight	3,79 Kg
Basic dynamic load rating (C)	12,2 kN

LQCF 30-2LS Bearing 2D drawings and 3D CAD models