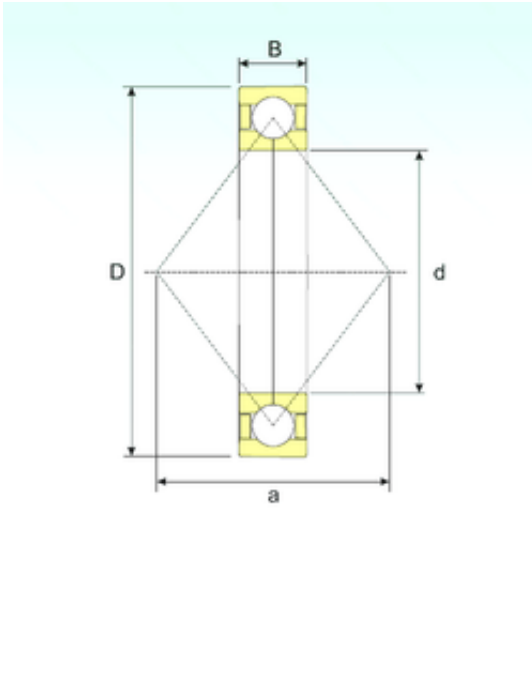




FML ske Manufacturing Co., Ltd



QJ 1056 Bearing 2D drawings and 3D CAD models

280 mm x 420 mm x 65 mm ISB QJ 1056 angular contact ball bearings

Bearing No. QJ 1056

Size	280x420x65 mm
Bore Diameter	280 mm
Outer Diameter	420 mm
Width	65 mm
d	280 mm
D	420 mm
B	65 mm
C	65 mm
a	245 mm
Weight	33,5 Kg
Basic dynamic load rating (C)	553 kN