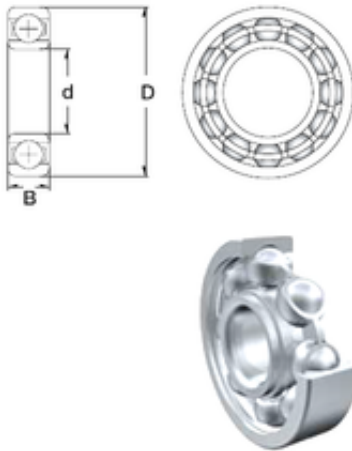




FML ske Manufacturing Co., Ltd

3 mm x 8 mm x 3 mm ZEN S693 deep groove ball bearings



Bearing No. S693

| | |
|-------------------------------|-------------|
| Size | 3x8x3 mm |
| Bore Diameter | 3 mm |
| Outer Diameter | 8 mm |
| Width | 3 mm |
| d | 3 mm |
| D | 8 mm |
| B | 3 mm |
| C | 3 mm |
| Basic dynamic load rating (C) | 0,558 kN |
| Basic static load rating (C0) | 0,18 kN |
| (Grease) Lubrication Speed | 60000 r/min |

S693 Bearing 2D drawings and 3D CAD models